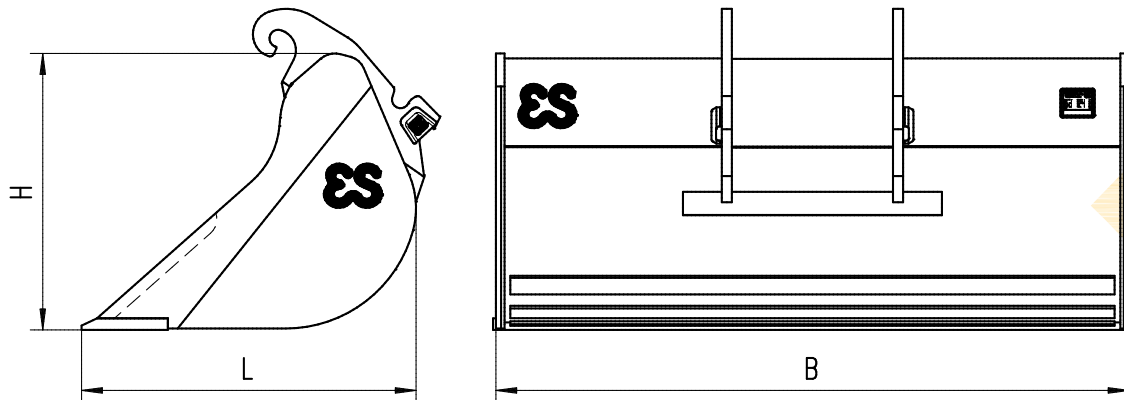


**Heavy Duty type SOV with CW3/CW4**  
To Excavators in the class 15-32 ton



**Intended for heavier excavation activities  
than standard**



| Bucket type    | B (mm) | L (mm) | H (mm) | Capacity (1:1) | Weight (kg) |
|----------------|--------|--------|--------|----------------|-------------|
| SOV.3.024.2500 | 2500   | 825    | 662    | 905 ltr.       | 640 kg      |
| SOV.3.032.1600 | 1600   | 915    | 749    | 735 ltr.       | 510 kg      |
| SOV.3.032.1800 | 1800   | 915    | 749    | 835 ltr.       | 555 kg      |
| SOV.3.032.2000 | 2000   | 915    | 749    | 935 ltr.       | 600 kg      |
| SOV.3.036.1800 | 1800   | 973    | 791    | 935 ltr.       | 590 kg      |
| SOV.3.036.2000 | 2000   | 973    | 791    | 1049 ltr.      | 640 kg      |
| SOV.3.041.1800 | 1800   | 1050   | 856    | 1070 ltr.      | 675 kg      |
| SOV.3.041.2000 | 2000   | 1050   | 856    | 1200 ltr.      | 730 kg      |
| SOV.4.046.1800 | 1800   | 1108   | 916    | 1175 ltr.      | 815 kg      |
| SOV.4.046.2000 | 2000   | 1108   | 916    | 1320 ltr.      | 880 kg      |
| SOV.4.046.2100 | 2100   | 1108   | 916    | 1395 ltr.      | 915 kg      |
| SOV.4.051.1800 | 1800   | 1162   | 954    | 1310 ltr.      | 840 kg      |
| SOV.4.051.2000 | 2000   | 1162   | 954    | 1475 ltr.      | 910 kg      |
| SOV.4.051.2200 | 2200   | 1162   | 954    | 1640 ltr.      | 980 kg      |
| SOV.4.056.1900 | 1900   | 1217   | 1000   | 1515 ltr.      | 910 kg      |
| SOV.4.056.2000 | 2000   | 1217   | 1000   | 1605 ltr.      | 945 kg      |
| SOV.4.056.2100 | 2100   | 1217   | 1000   | 1695 ltr.      | 980 kg      |
| SOV.4.061.1800 | 1800   | 1257   | 1041   | 1555 ltr.      | 960 kg      |
| SOV.4.061.2000 | 2000   | 1257   | 1041   | 1750 ltr.      | 1035 kg     |
| SOV.4.061.2100 | 2100   | 1257   | 1041   | 1845 ltr.      | 1075 kg     |
| SOV.4.067.2000 | 2000   | 1320   | 1081   | 1915 ltr.      | 1160 kg     |
| SOV.4.067.2100 | 2100   | 1320   | 1081   | 2020 ltr.      | 1200 kg     |
| SOV.4.067.2200 | 2200   | 1320   | 1081   | 2130 ltr.      | 1240 kg     |

## Characteristics of Ditch-Cleaning Bucket heavy duty:

- Intended for heavier excavation activities than standard
- Large bucket opening for perfect filling and increased capacity
- Strong construction of high-quality materials, enables low maintenance and long lifetime
- Available with different suspensions: Standard, Quick Twin, Pin-on or specials
- Several other versions and widths possible on request

### Eurosteel BV

Van Heemskerckweg 10  
5928 LL Venlo  
The Netherlands  
T: +31 (0)77 387 60 60  
F: +31 (0)77 382 49 47  
E: info@eurosteel.nl