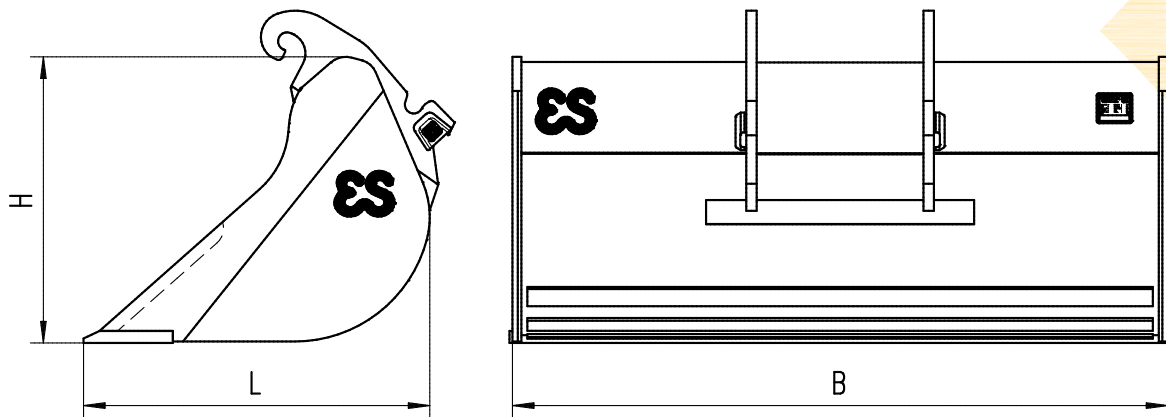


**Heavy Duty type SOV with
CW45/CW55**

To Excavators in the class 27-60 ton



**Intended for heavier excavation activities
than standard**



Bucket type	B (mm)	L (mm)	H (mm)	Capacity (1:1)	Weight (kg)
SOV.45.067.2000	2000	1325	1091	1915 ltr.	1295 kg
SOV.45.067.2200	2200	1325	1091	2130 ltr.	1380 kg
SOV.45.077.2000	2000	1399	1179	2170 ltr.	1480 kg
SOV.45.077.2100	2100	1399	1179	2295 ltr.	1530 kg
SOV.45.077.2200	2200	1399	1179	2420 ltr.	1585 kg
SOV.45.088.2100	2100	1488	1269	2620 ltr.	1680 kg
SOV.45.088.2200	2200	1488	1269	2750 ltr.	1735 kg
SOV.5.067.2000	2000	1325	1091	1915 ltr.	1475 kg
SOV.5.067.2200	2200	1325	1091	2130 ltr.	1575 kg
SOV.5.077.2000	2000	1399	1179	2170 ltr.	1575 kg
SOV.5.077.2200	2200	1399	1179	2420 ltr.	1675 kg
SOV.5.077.2400	2400	1399	1179	2670 ltr.	1780 kg
SOV.5.088.2200	2200	1488	1269	2750 ltr.	1855 kg
SOV.5.088.2400	2400	1488	1269	3040 ltr.	1965 kg
SOV.5.088.2500	2500	1488	1269	3180 ltr.	2025 kg

Characteristics of Ditch-Cleaning Bucket heavy duty:

- Intended for heavier excavation activities than standard
- Large bucket opening for perfect filling and increased capacity
- Strong construction of high-quality materials, enables low maintenance and long lifetime
- Available with different suspensions: Standard, Quick Twin, Pin-on or specials
- Several other versions and widths possible on request

Eurosteel BV

Van Heemskerckweg 10
5928 LL Venlo
The Netherlands
T: +31 (0)77 387 60 60
F: +31 (0)77 382 49 47
E: info@eurosteel.nl