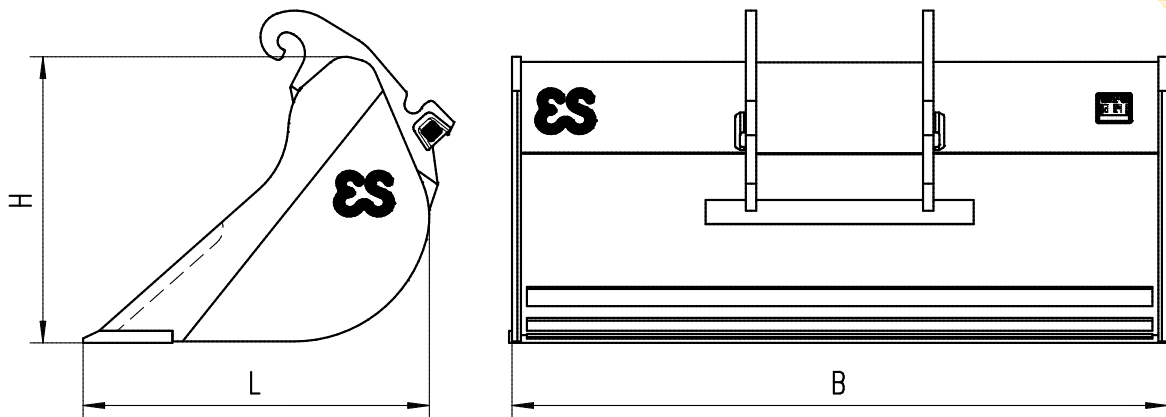


Heavy Duty type SOV with CW1/CW2
To Excavators in the class 4-15 ton



**Intended for heavier excavation activities
than standard**



Bucket type	B (mm)	L (mm)	H (mm)	Capacity (1:1)	Weight (kg)
SOV.1.016.1400	1400	591	559	320 ltr.	185 kg
SOV.1.020.1500	1500	665	645	435 ltr.	305 kg
SOV.1.020.1600	1600	665	645	470 ltr.	320 kg
SOV.2.024.1600	1600	825	657	560 ltr.	390 kg
SOV.2.024.1800	1800	825	657	636 ltr.	425 kg
SOV.2.028.1600	1600	865	715	655 ltr.	440 kg
SOV.2.028.1800	1800	865	715	740 ltr.	480 kg
SOV.2.028.2000	2000	865	715	830 ltr.	520 kg
SOV.2.032.1800	1800	915	749	835 ltr.	550 kg

Characteristics of Ditch-Cleaning Bucket heavy duty:

- Intended for heavier excavation activities than standard
- Large bucket opening for perfect filling and increased capacity
- Strong construction of high-quality materials, enables low maintenance and long lifetime
- Available with different suspensions: Standard, Quick Twin, Pin-on or specials
- Several other versions and widths possible on request

Eurosteel BV

Van Heemskerckweg 10

5928 LL Venlo

The Netherlands

T: +31 (0)77 387 60 60

F: +31 (0)77 382 49 47

E: info@eurosteel.nl