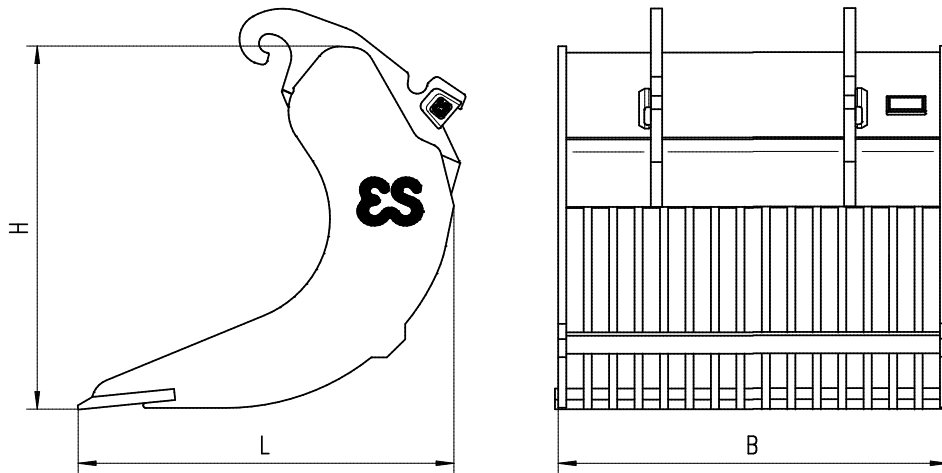


Heavy Duty type PDV with CW3/CW4
To Excavators in the class 15-32 ton



**Intended for heavier excavation activities,
sorting and sieving**



Bucket type	B (mm)	L (mm)	H (mm)	Capacity (1:1)	Weight (kg)
PDV.3.050.1300	1300	1050	1064	900 ltr.	625 kg
PDV.3.050.1400	1400	1050	1064	980 ltr.	660 kg
PDV.3.055.1300	1300	1157	1138	995 ltr.	785 kg
PDV.3.055.1400	1400	1157	1138	1085 ltr.	820 kg
PDV.3.055.1500	1500	1157	1138	1180 ltr.	860 kg
PDV.4.062.1300	1300	1198	1178	1095 ltr.	910 kg
PDV.4.062.1400	1400	1198	1178	1195 ltr.	960 kg
PDV.4.069.1300	1300	1273	1230	1190 ltr.	1030 kg
PDV.4.069.1400	1400	1273	1230	1300 ltr.	1080 kg
PDV.4.069.1500	1500	1273	1230	1410 ltr.	1130 kg
PDV.4.085.1400	1400	1324	1391	1550 ltr.	1370 kg
PDV.4.085.1500	1500	1324	1391	1680 ltr.	1440 kg

Characteristics of Skeleton Bucket heavy duty:

- Stronger construction than skeleton bucket general purpose
- Intended for heavier excavation activities, sorting, sieving and also suitable for breaking up asphalt
- Several possibilities of changeable toothsystems, like COMBI, ESCO or CAT adapters with tips
- Available with different suspensions: Standard, Quick Twin, Pin-on or specials
- Several other versions and widths possible on request

Eurosteel BV

Van Heemskerckweg 10

5928 LL Venlo

The Netherlands

T: +31 (0)77 387 60 60

F: +31 (0)77 382 49 47

E: info@eurosteel.nl