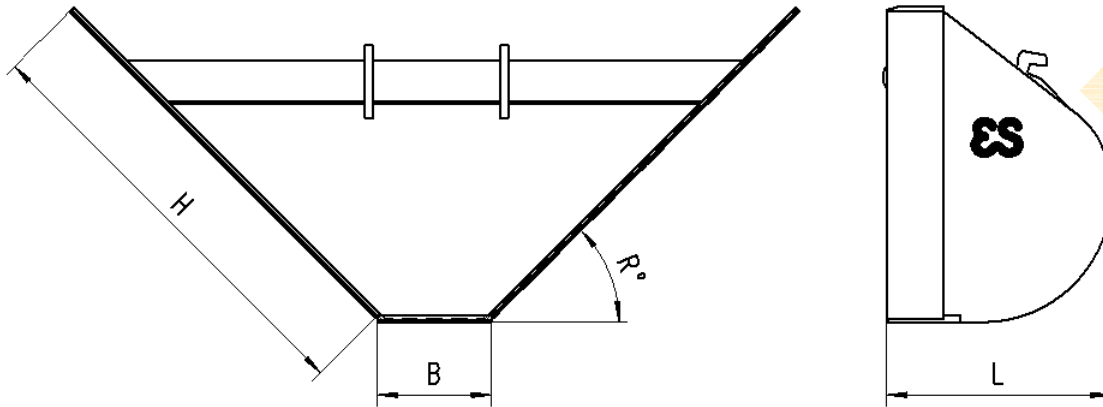


**General Purpose (fixed wing) type TB
with CW0/CW55**

To Excavators in the class 0-60 ton



Intended for digging of trenches and slopes



Bucket type	B (mm)	L (mm)	H (mm)	R°	Capacity (1:1)
TB.025.120.0600	600	548	1000	65°	250 ltr.
TB.033.105.0300	300	643	1100	60°	240 ltr.
TB.033.132.0300	300	643	1200	45°	355 ltr.
TB.040.129.0300	300	688	1400	60°	370 ltr.
TB.045.210.0500	500	778	1700	45°	750 ltr.
TB.050.204.0400	400	870	1700	45°	800 ltr.
TB.050.210.0500	500	870	1700	45°	820 ltr.
TB.050.290.0500	500	870	2000	34°	1075 ltr.
TB.060.230.0500	500	923	1800	45°	1000 ltr.
TB.060.240.1000	1000	923	2100	52°	1400 ltr.
TB.070.244.0500	500	985	1900	45°	1300 ltr.
TB.070.350.0600	600	985	2500	34°	1850 ltr.
TB.080.254.0500	500	1053	2000	45°	1540 ltr.
TB.080.357.0600	600	1053	2500	34°	2000 ltr.
TB.105.160.1000	1000	1092	2000	77°	1850 ltr.
TB.105.180.0900	900	1092	2000	72°	1800 ltr.
TB.125.100.0500	500	1197	2000	80°	1200 ltr.

Characteristics of Trapezoidal Bucket general purpose:

- Intended for fast and easy digging of trenches and slopes
- Ideal shape for excellent excavation activities
- Several other versions, widths and capacities possible on request

Eurosteel BV

Van Heemskerckweg 10
5928 LL Venlo
The Netherlands
T: +31 (0)77 387 60 60
F: +31 (0)77 382 49 47
E: info@eurosteel.nl