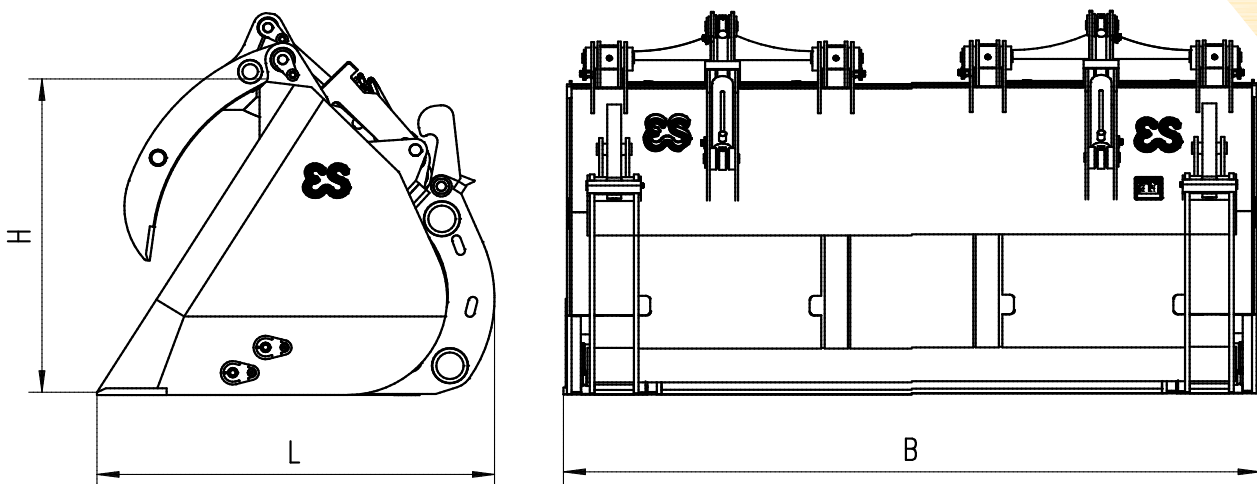


**General Purpose with clamp type HKBK**  
To Wheel loaders in the class 6-34 ton



**Intended for loading high trucks, silos, wag-  
gons and the handling of standard bulk cargo**



Bucket type	B (mm)	L (mm)	H (mm)	Capacity (1:2)	Weight (kg)
HKBK.7.110.2900	2900	1608	1430	3700 ltr.	3650 kg
HKBK.7.110.3000	3000	1608	1430	3800 ltr.	3750 kg
HKBK.7.115.2900	2900	1712	1385	4000 ltr.	3750 kg
HKBK.7.115.3000	3000	1712	1385	4100 ltr.	3850 kg

*This is a small selection of our range High Dump buckets general purpose with clamp*

## Characteristics of High Dump Bucket general purpose with clamp:

- Intended for loading high trucks, silos, waggons and the handling of standard voluminous cargo
- Equipped with 2 hydraulically operated horizontal cylinders
- Hydraulically operated clamp to avoid loss of material during transportation
- Extra dump-height and reach by the clever tilting mechanism
- Large bucket opening for perfect filling and large capacity
- Not suitable for high breakout force and heavy excavation
- Available with bolt-on cutting edge
- Executable with convex sides to increase the capacity and to reduce material loss

### Eurosteel BV

Van Heemskerckweg 10  
5928 LL Venlo  
The Netherlands  
T: +31 (0)77 387 60 60  
F: +31 (0)77 382 49 47  
E: info@eurosteel.nl