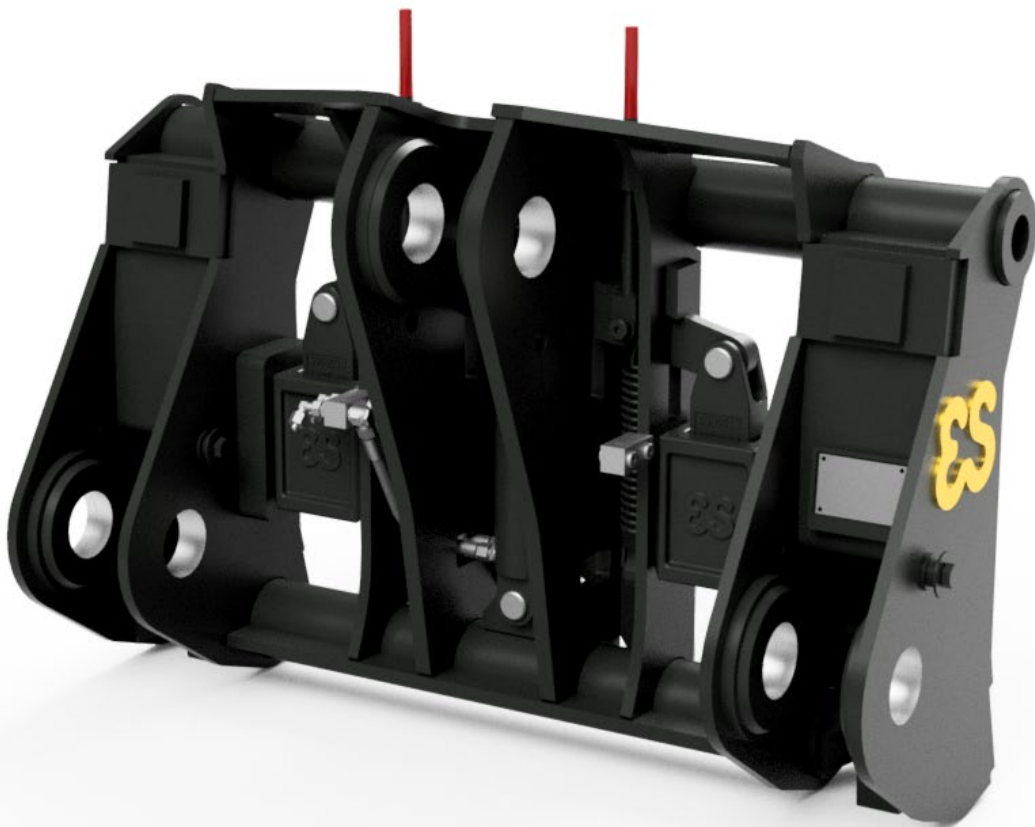
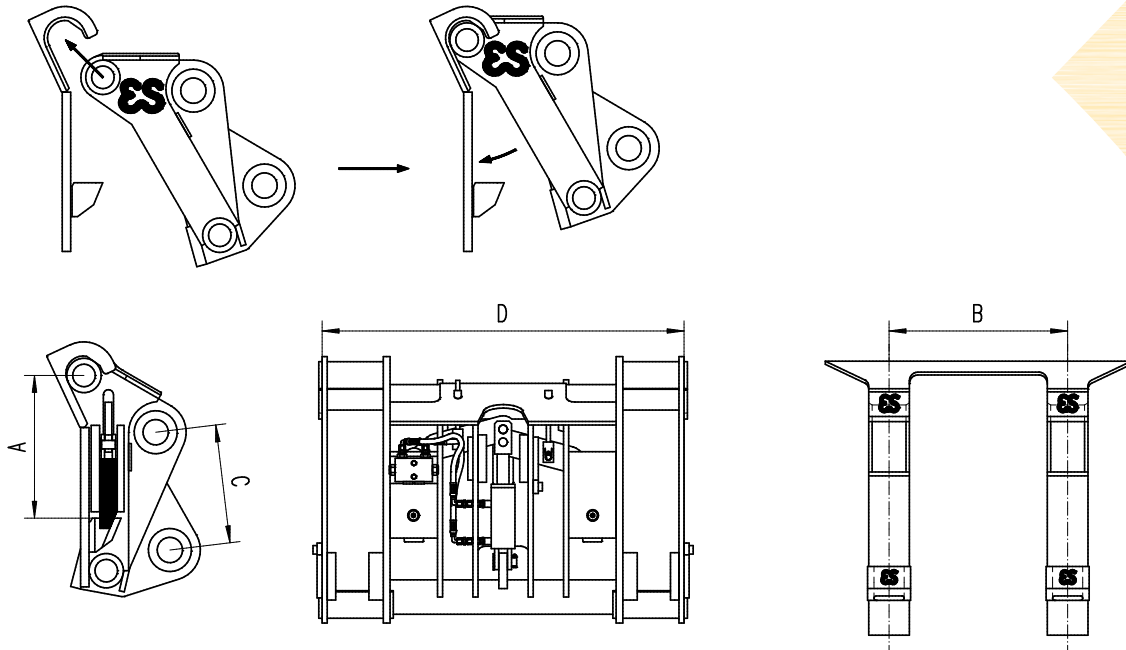


General Purpose System type HKO-2000

To Wheel loaders in the class 1-34 ton



Top quality Quick Coupler



Type	HKO.1.2001	HKO.2.2002	HKO.3.2003	HKO.4.2004	HKO.5.2005	HKO.6.2006	HKO.7.2007	HKO.8.2008
Machine class (t)	0 - 3,5 t	3,5 - 6 t	6 - 8 t	8 - 10 t	10 - 12 t	12 - 14 t	14 - 18 t	18 - 22 t
A (mm)	279	279	414	414	414	414	508	508
B (mm)	465	465	527	527	527	527	650	650
Weight (kg)	175 kg	190 kg	355 kg	385 kg	415 kg	450 kg	585 kg	665 kg

Dimension C and D depending on machinetype

Weights depending on model and machine class

In heavy duty activities, the systems are equipped with 4 hooks and protection. Type 2013-2016 and 2017-2018

Larger systems available on request

Characteristics of System 2000:

- Flexible and improves efficiency
- Virtually no restrictions and minimal loss of breakout force due the compact design
- Integrated non-return valve
- Very solid and durable
- Hydraulically operated and easy to change
- Vertical locking

Eurosteel BV

Van Heemskerckweg 10

5928 LL Venlo

The Netherlands

T: +31 (0)77 387 60 60

F: +31 (0)77 382 49 47

E: info@eurosteel.nl