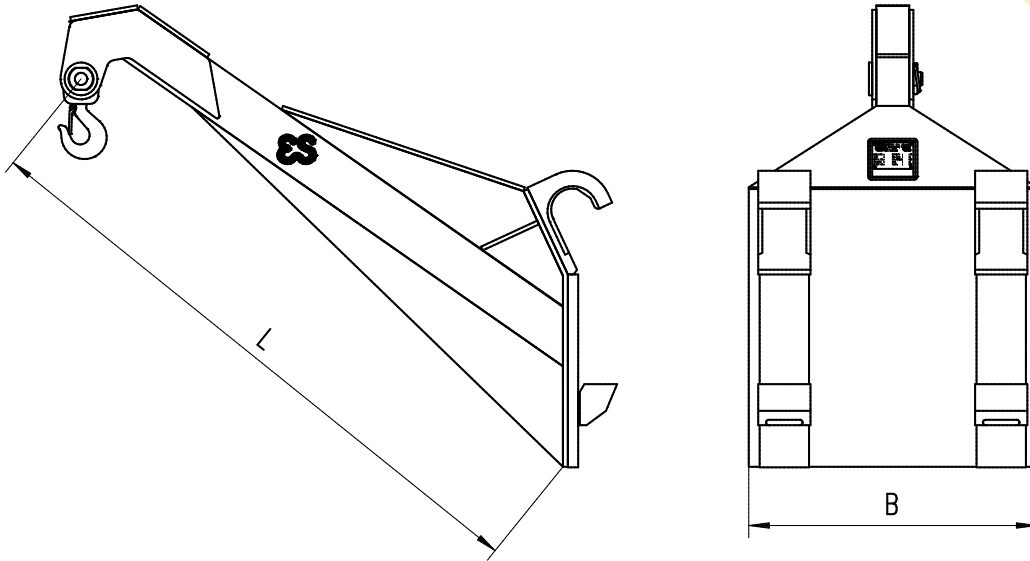


General Purpose type HMW

To Wheel loaders in the class 6-22 ton



**Intended for transporting heavy materials and
other lifting operations**



Type	B (mm)	L (mm)	Weight (kg)
HMW.5.1200	700	1200	210 kg
HMW.5.1500	700	1500	215 kg
HMW.5.3500	1200	3500	475 kg
HMW.6.2200	1250	2200	500 kg
HMW.6.2500	700	2500	500 kg
HMW.7.2000	1200	2000	450 kg

Characteristics of the Lift Arm:

- Intended for lifting operations in a responsible way
- Ideal worktool for transporting and moving various heavy materials
- Several other versions possible on request

Eurosteel BV

Van Heemskerckweg 10

5928 LL Venlo

The Netherlands

T: +31 (0)77 387 60 60

F: +31 (0)77 382 49 47

E: info@eurosteel.nl

www.eurosteel.nl

leaflet version 3.0