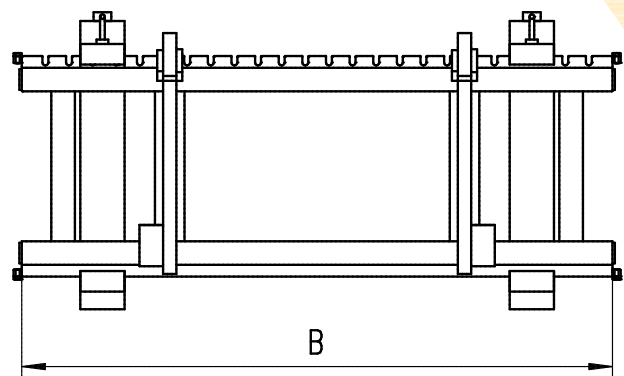
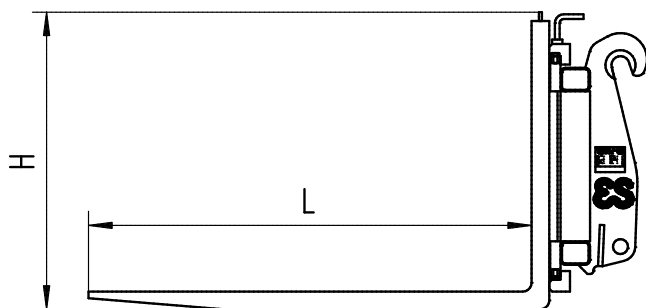


General Purpose type PFW

To Wheel loaders in the class 14-22 ton



**Intended for quick and easy transfer
of various materials**



Type	B (mm)	L (mm)	H (mm)	Load (max)	Weight (kg)
PFW.6.1600.1500	1600	1500	1010	7000 kg	660 kg
PFW.6.2000.1500	2000	1500	1010	7000 kg	700 kg
PFW.7.2000.1500	2000	1500	1245	9000 kg	940 kg
PFW.7.2500.1500	2500	1500	1245	9000 kg	1005 kg
PFW.8.2000.1500	2000	1500	1245	10000 kg	1025 kg
PFW.8.2000.1750	2000	1750	1245	10000 kg	1080 kg
PFW.8.2500.1500	2500	1500	1245	10000 kg	1125 kg
PFW.8.2500.1750	2500	1750	1245	10000 kg	1180 kg

Characteristics of Palletfork general purpose:

- Intended for quick and easy transfer of several materials
- Strong construction of high quality materials leads to low maintenance and longer lifetime
- Available with universal fork lengths for proper functionality
- Several versions and widths possible on request

Eurosteel BV

Van Heemskerckweg 10

5928 LL Venlo

The Netherlands

T: +31 (0)77 387 60 60

F: +31 (0)77 382 49 47

E: info@eurosteel.nl

www.eurosteel.nl

leaflet version 3.0