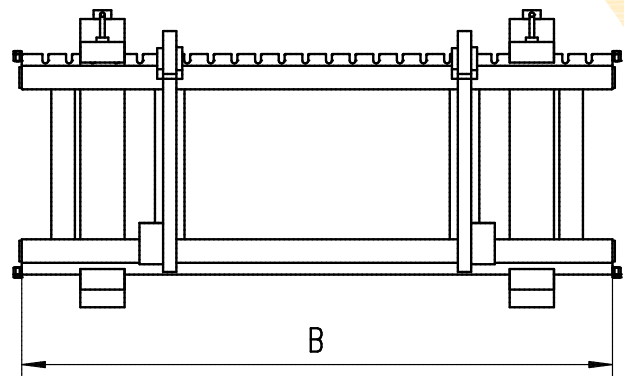
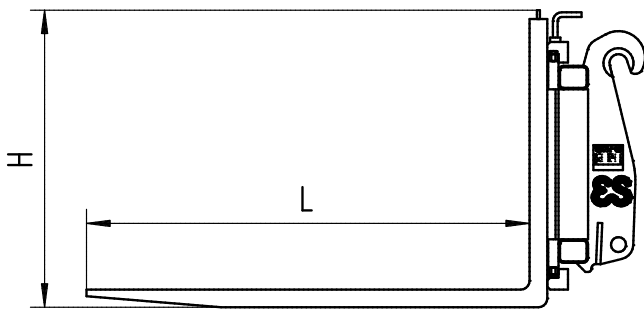


## General Purpose type PFW

To Wheel loaders in the class 6-14 ton



**Intended for quick and easy transfer  
of various materials**



Type	B (mm)	L (mm)	H (mm)	Load (max)	Weight (kg)
PFW.3.1600.1200	1600	1200	800	4600 kg	445 kg
PFW.3.1600.1500	1600	1500	800	4600 kg	465 kg
PFW.3.2000.1200	2000	1200	800	4600 kg	480 kg
PFW.3.2000.1500	2000	1500	800	4600 kg	500 kg
PFW.4.1600.1200	1600	1200	1000	4600 kg	460 kg
PFW.4.1600.1500	1600	1500	1000	4600 kg	490 kg
PFW.4.2000.1500	2000	1500	1000	4600 kg	500 kg
PFW.6.1600.1500	1600	1500	1010	7000 kg	660 kg
PFW.6.2000.1500	2000	1500	1010	7000 kg	700 kg

## Characteristics of Palletfork general purpose:

- Intended for quick and easy transfer of several materials
- Strong construction of high quality materials leads to low maintenance and longer lifetime
- Available with universal fork lengths for proper functionality
- Several versions and widths possible on request

**Eurosteel BV**  
Van Heemskerckweg 10  
5928 LL Venlo  
The Netherlands  
T: +31 (0)77 387 60 60  
F: +31 (0)77 382 49 47  
E: info@eurosteel.nl